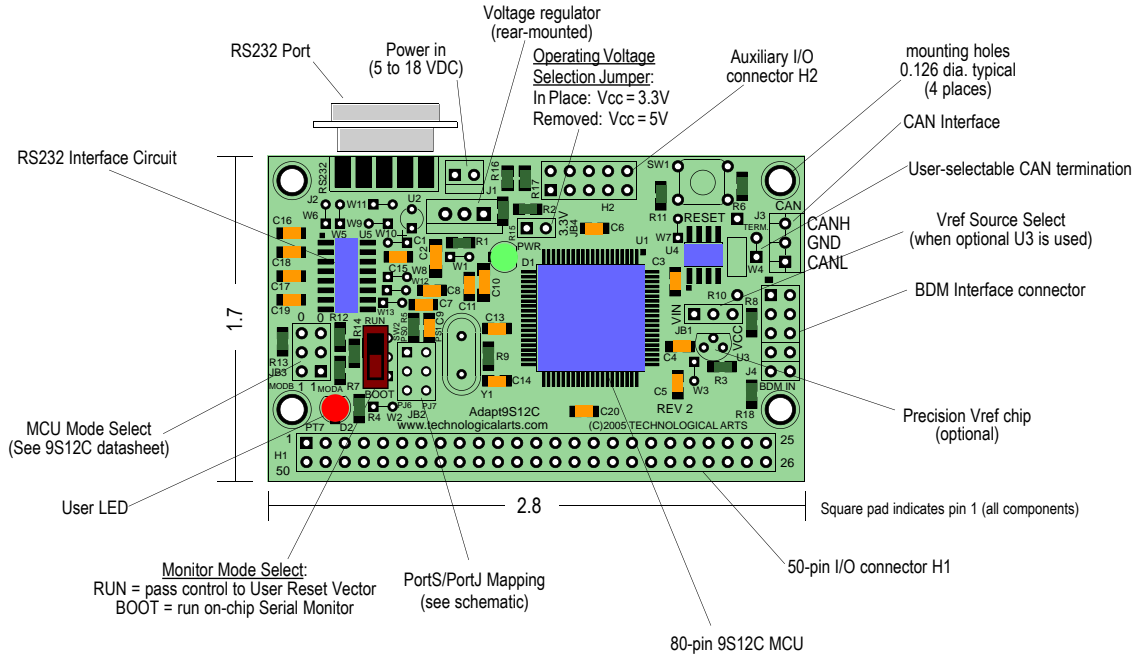


Adapt9S12C Module Features and Pin Configuration

Dimensions in inches



H1 Pin Assignments

| PIN # | NAME | PIN # | NAME |
|-------|-------------------------|-------|-------------------------|
| 1 | PM2/MISO | 50 | GROUND |
| 2 | PM4/MOSI | 49 | GROUND |
| 3 | PM5/SCK | 48 | PS0 or PJ6 (set by JB2) |
| 4 | PM3/SS* | 47 | Vcc |
| 5 | PS1 or PJ7 (set by JB2) | 46 | PE1 (IRQ*) |
| 6 | PT7/IOC7 | 45 | PE0 (XIRQ*) |
| 7 | PT6/IOC6 | 44 | RESET* |
| 8 | PT5/IOC5 | 43 | PE7 (XCLKS*) |
| 9 | PT4/IOC4/PW4 | 42 | PA0/ADDR8/DATA8 |
| 10 | PT3/IOC3/PW3 | 41 | PA1/ADDR9/DATA9 |
| 11 | PT2/IOC2/PW2 | 40 | PA2/ADDR10/DATA10 |
| 12 | PT1/IOC1/PW1 | 39 | PA3/ADDR11/DATA11 |
| 13 | PT0/IOC0/PW0 | 38 | PA4/ADDR12/DATA12 |
| 14 | PB7/ADDR7/DATA7 | 37 | PA5/ADDR13/DATA13 |
| 15 | PB6/ADDR6/DATA6 | 36 | PA6/ADDR14/DATA14 |
| 16 | PB5/ADDR5/DATA5 | 35 | PA7/ADDR15/DATA15 |
| 17 | PB4/ADDR4/DATA4 | 34 | PE2 (R/W*) |
| 18 | PB3/ADDR3/DATA3 | 33 | PE4 (ECLK) |
| 19 | PB2/ADDR2/DATA2 | 32 | PE3 (LSTRB*) |
| 20 | PB1/ADDR1/DATA1 | 31 | Vana |
| 21 | PB0/ADDR0/DATA0 | 30 | VRH |
| 22 | PAD00/AN00 | 29 | PAD04/AN04 |
| 23 | PAD01/AN01 | 28 | PAD05/AN05 |
| 24 | PAD02/AN02 | 27 | PAD06/AN06 |
| 25 | PAD03/AN03 | 26 | PAD07/AN07 |

H2 Pin Assignments

| PIN # | NAME | PIN # | NAME |
|-------|--------------|-------|-----------------|
| 1 | PP0/KWP0/PW0 | 2 | PP7/KWP7 |
| 3 | PP1/KWP1/PW1 | 4 | PP6/KWP6/ROMCTL |
| 5 | PP2/KWP2/PW2 | 6 | PP5/KWP5/PW5 |
| 7 | PP3/KWP3/PW3 | 8 | PP4/KWP4/PW4 |
| 9 | Vcc | 10 | GND |



Order Codes:

Modules (include mating power connector and hardcopy schematic):
 AD9S12C32M-□ (has 32K Flash and 2K RAM)
 AD9S12C128M-□ (has 128K Flash and 4K RAM)
 (specify H1 connector option code - see drawings, below)

Starter Packages (include module with SB connector and serial cable):

AD9S12C32SP (has 32K Flash and 2K RAM)
 AD9S12C128SP (has 128K Flash and 4K RAM)

Standard Connector Options (use "NC" for no connector)

