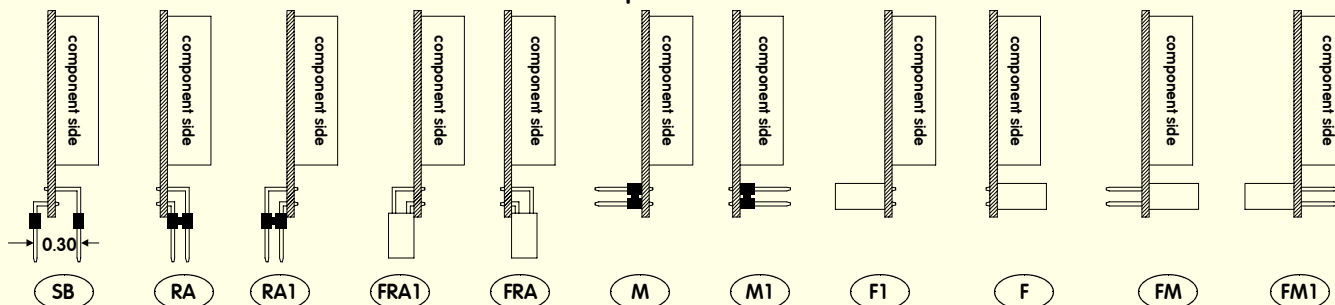


Adapt9S12E128™ CONNECTOR PINOUTS

H1				H2			
PIN	SIGNAL NAME	PIN	SIGNAL NAME	PIN	SIGNAL NAME	PIN	SIGNAL NAME
1	PS4/MISO	50	GROUND	1	PA7/ADDR15/DATA15	50	VCC (+5VDC)
2	PS5/MOSI	49	GROUND	2	PA6/ADDR14/DATA14	49	GROUND
3	PS6/SCK	48	PS0/RXD0	3	PA5/ADDR13/DATA13	48	PK7/ECS*
4	PS7/SS*	47	+5VDC	4	PA4/ADDR12/DATA12	47	PK6/XCS*
5	PS1/TXD0	46	PE1/IRQ*	5	PA3/ADDR11/DATA11	46	PK5/XADDR19
6	PT7/IOC17	45	PE0/XIRQ*	6	PA2/ADDR10/DATA10	45	PK4/XADDR18
7	PT6/IOC16	44	RESET*	7	PA1/ADDR9/DATA9	44	PK3/XADDR17
8	PT5/IOC15	43	PE7/NOACC/XCLKS*	8	PA0/ADDR8/DATA8	43	PK2/XADDR16
9	PT4/IOC14	42	PU0/PWM10/IOC24	9	PB7/ADDR7/DATA7	42	PK1/XADDR15
10	PT3/IOC07	41	PU1/PWM11/IOC25	10	PB6/ADDR6/DATA6	41	PK0/XADDR14
11	PT2/IOC06	40	PU2/PWM12/IOC26	11	PB5/ADDR5/DATA5	40	PQ0/FAULT0
12	PT1/IOC05	39	PU3/PWM13/IOC27	12	PB4/ADDR4/DATA4	39	PQ1/FAULT1
13	PT0/IOC04	38	PU4/PWM14	13	PB3/ADDR3/DATA3	38	PQ2/FAULT2
14	PM1/DAC1	37	PU5/PWM15	14	PB2/ADDR2/DATA2	37	PQ3/FAULT3
15	PM0/DAC0	36	PU6	15	PB1/ADDR1/DATA1	36	PQ4/ISO*
16	PP5/PMF5	35	PU7	16	PB0/ADDR0/DATA0	35	PQ5/IS1*
17	PP4/PMF4	34	PS2/RXD1	17	R/W*/PE2	34	PQ6/IS2*
18	PP3/PMF3	33	PE4/ECLK	18	ECLK/PE4	33	PM3
19	PP2/PMF2	32	PS3/TXD1	19	LSTRB*/PE3	32	PM4/RXD2
20	PP1/PMF1	31	VRL	20	IRQ*/PE1	31	PM5/TXD2
21	PP0/PMF0	30	VRH	21	PM7/SCL	30	PM6/SDA
22	PAD0/KWAD0	29	PAD4/KWAD4	22	PAD8/KWAD8	29	PAD12/KWAD12
23	PAD1/KWAD1	28	PAD5/KWAD5	23	PAD9/KWAD9	28	PAD13/KWAD13
24	PAD2/KWAD2	27	PAD6/KWAD6	24	PAD10/KWAD10	27	PAD14/KWAD14
25	PAD3/KWAD3	26	PAD7/KWAD7	25	PAD11/KWAD11	26	PAD15/KWAD15

NOTES: * indicates active low signal

Standard Connector Options (use NC for "no connector")



Technological Arts

Order Codes (fill in - with desired connector options for H1 and H2):

Basic Module (2 x RS232, 0 x IRDA, 0 x RS485, 0 x Op Amp): AD9S12E128M0--

Fully-populated Module (1 x RS232, 1 x IRDA, 1 x RS485, 1 x OpAmp): AD9S12E128M--

Evaluation Package (AD9S12E128M-RA1-RA1, DC power supply, prototyping cards, serial cable, etc.): AD9S12E128EVP

www.technologicalarts.com • sales@technologicalarts.com • phone: (416) 963-8996 • fax: (416) 963-9179

©2003 Technological Arts Specifications subject to change without notice

AD9S12E128DAT2a