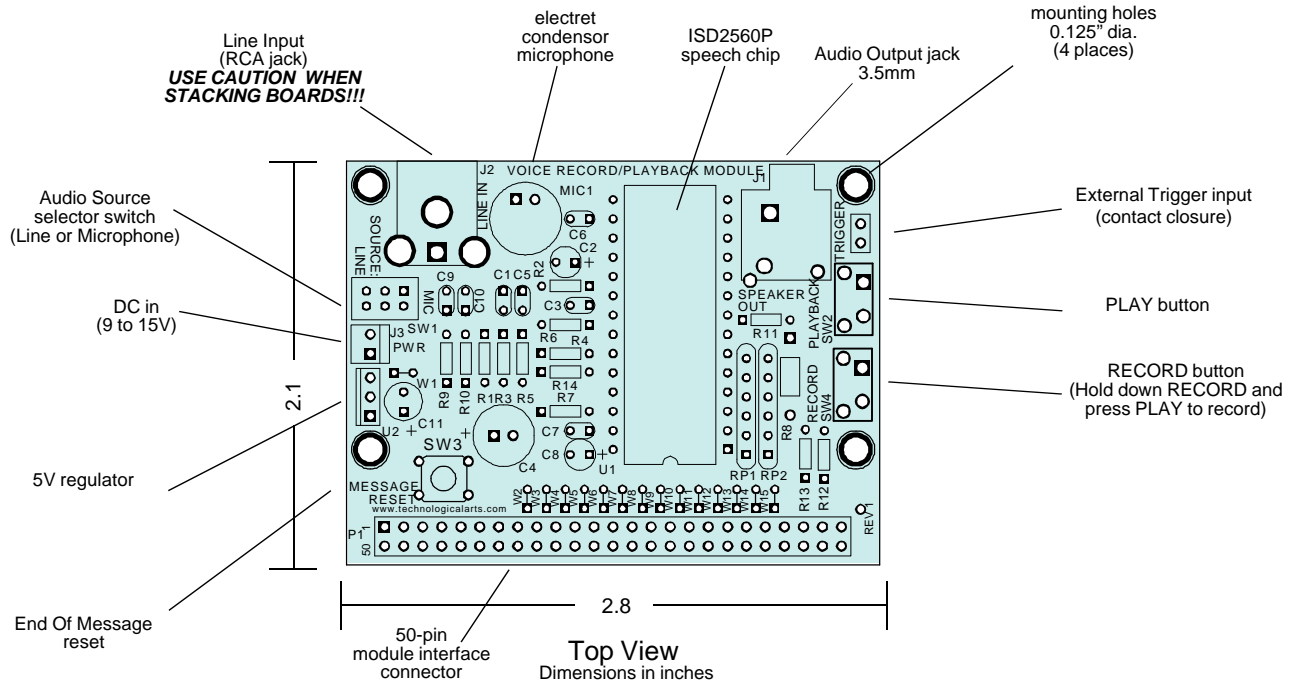


Voice Record/Playback Module Mechanical Data and Pin Configuration



P1 Pin Assignments

PIN #	SIGNAL NAME	PIN #	SIGNAL NAME
1	not used	50	GROUND
2	not used	49	GROUND
3	not used	48	not used
4	not used	47	+5V
5	not used	46	IRQ*
6	not used	45	not used
7	not used	44	not used
8	not used	43	not used
9	not used	42	CE*
10	not used	41	P/R*
11	not used	40	A9
12	not used	39	A8
13	EOM*	38	PD
14	A7	37	not used
15	A6	36	not used
16	A5	35	not used
17	A4	34	not used
18	A3	33	not used
19	A2	32	not used
20	A1	31	not used
21	A0	30	not used
22	not used	29	not used
23	not used	28	not used
24	not used	27	not used
25	not used	26	not used

NOTE: * indicates active low

Order Code:
AD11DXVRPM-□
(fill in desired connector option)



Standard Connector Options

