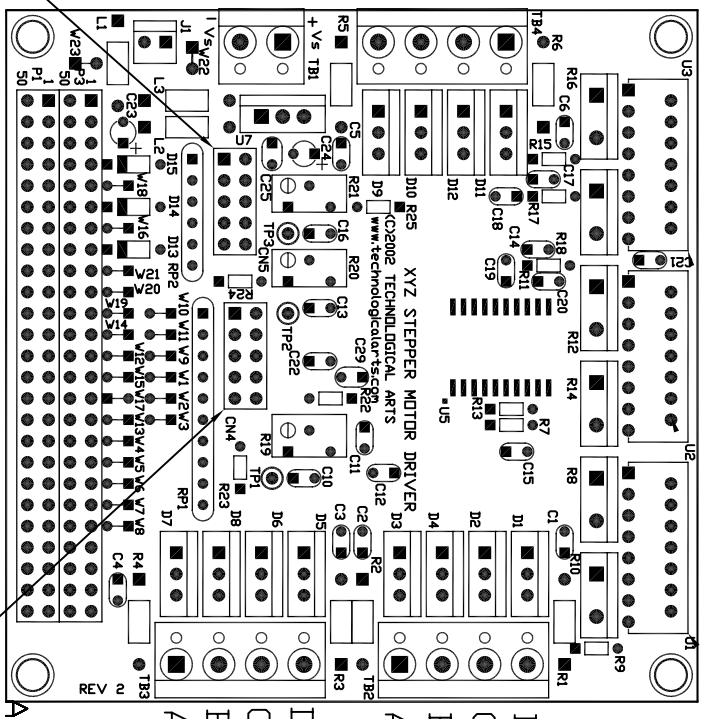


PHASE AB
Z-AXIS
PHASE CD
A
B
C
D

Motor Supply

Logic Supply (Optional)

Limit Switches



PHASE CD
X-AXIS
PHASE AB
D
C
B
A

PHASE CD
Y-AXIS
PHASE AB
D
C
B
A

Home Switches

ALL MEASUREMENTS ARE IN INCHES
NOT TO SCALE

TECHNOLOGICAL ARTS
sales@technologicalarts.com
www.technologicalarts.com
support@technologicalarts.com

Title		XYZ Stepper Board
Size	Document Number	Rev
A	FILE: XYZWiring.dwg	0
Date:	Friday, August 06, 2004	Sheet 1 of 1