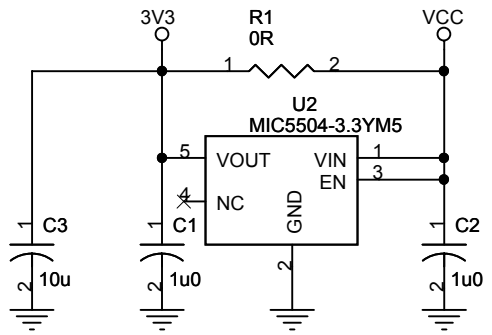


For 3-Volt version, populate R1 and omit U2.



[www.technologicalarts.com](http://www.technologicalarts.com)  
[support@technologicalarts.com](mailto:support@technologicalarts.com) [sales@technologicalarts.com](mailto:sales@technologicalarts.com)

**Technological Arts, Inc.**

Title  
**ESP-12 WiFi Breakout Board**

Size A	Document Number FILE: BOBESP12.dsn	Rev 0
Date: Wednesday, February 01, 2017		

Sheet 1 of 1