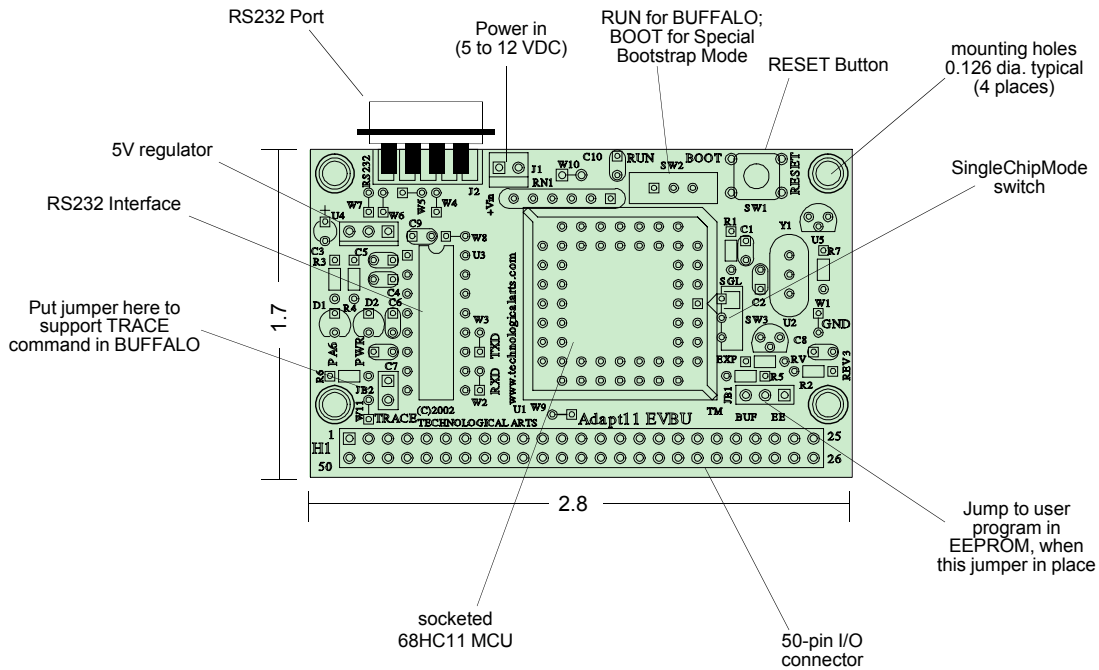


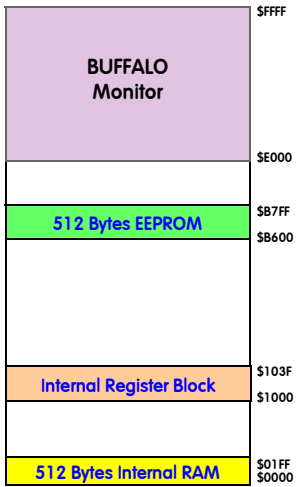
Adapt11 EVBU Module

Mechanical Data and Pin Configuration

Dimensions in inches



MEMORY MAP*



* with 68HC11E9BFN MCU

Pin Assignments

PIN #	NAME	PIN #	NAME
1	PD2/MISO	50	GROUND
2	PD3/MOSI	49	GROUND
3	PD4/SCK	48	PD0/RXD
4	PD5/SS*	47	+5V
5	PD1/TXD	46	IRQ*
6	PA7/PAI/OC1	45	XIRQ*
7	PA6/OC2/OC1	44	RESET*
8	PA5/OC3/OC1	43	MODB
9	PA4/OC4/OC1	42	PC7 (ADDR7/DATA7)
10	PA3/IC4/OC5/OC1	41	PC6 (ADDR6/DATA6)
11	PA2/IC1	40	PC5 (ADDR5/DATA5)
12	PA1/IC2	39	PC4 (ADDR4/DATA4)
13	PA0/IC3	38	PC3 (ADDR3/DATA3)
14	PB7 (ADDR15)	37	PC2 (ADDR2/DATA2)
15	PB6 (ADDR14)	36	PC1 (ADDR1/DATA1)
16	PB5 (ADDR13)	35	PC0 (ADDR0/DATA0)
17	PB4 (ADDR12)	34	STRB (R/W*)
18	PB3 (ADDR11)	33	E
19	PB2 (ADDR10)	32	STRA (AS)
20	PB1 (ADDR9)	31	VRL
21	PB0 (ADDR8)	30	VRH
22	PE0/AN0	29	PE4/AN4
23	PE1/AN1	28	PE5/AN5
24	PE2/AN2	27	PE6/AN6
25	PE3/AN3	26	PE7/AN7

Order Codes:

Module (MCU not included):
AD11EVBU-M-□
Specify desired connector option.

Starter Package:

AD11EVBUSP
includes ADAPT11EVBU-M-RA module fully populated with 68HC11E9BFN (or equiv.), prototyping card (AD11PRO1-FRA1), solderless breadboard adapter (ADHDR50-F), and serial cable, documentation, and disk.

Standard Connector Options

