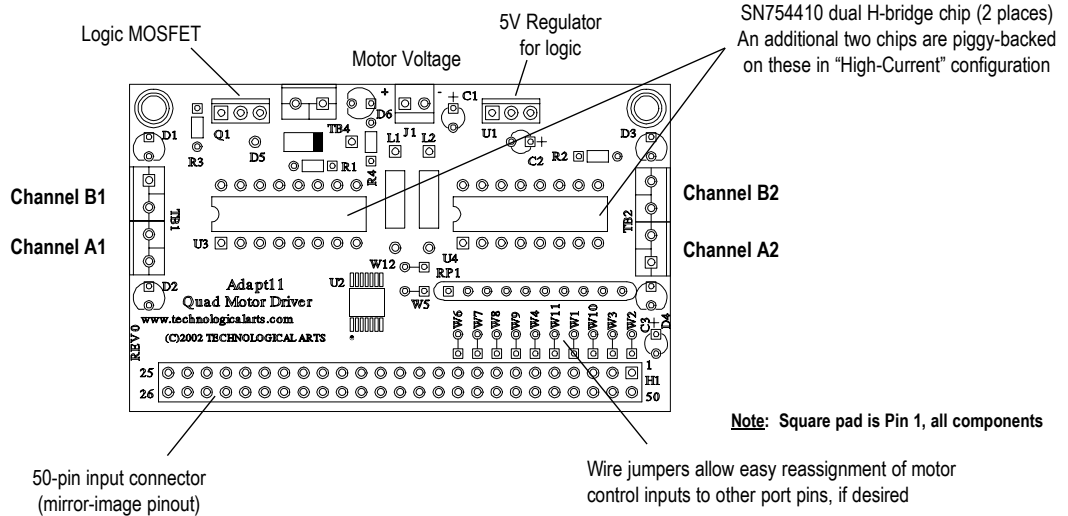


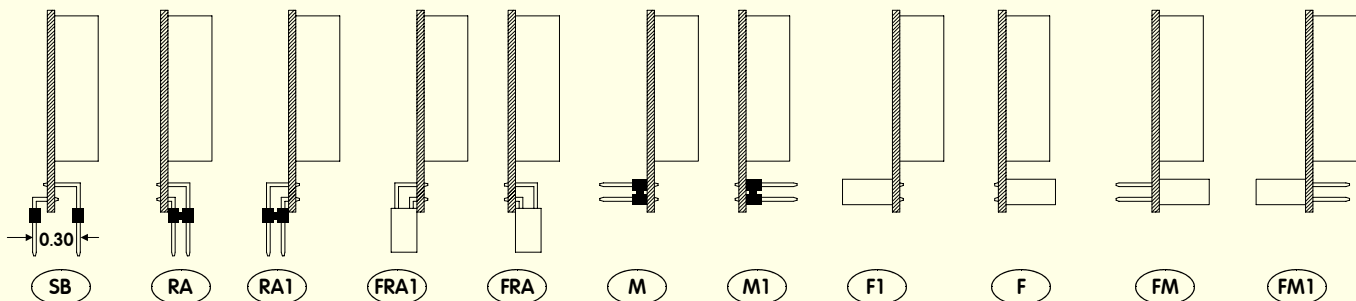
Adapt11 Quad Motor Driver Modules

Mechanical Layout & Pin Numbering



PIN NUMBER	FUNCTION	PIN NUMBER	FUNCTION
1	MDIRA2	50	GROUND
2	MDIRB2	49	GROUND
3	MENA2	48	
4	MENB2	47	VCC
5		46	
6	MOSFET	45	
7	MDIRB1	44	
8	MDIRA1	43	
9	MENB1	42	
10	MENA1	41	
11		40	
12		39	
13		38	
14		37	
15		36	
16		35	
17		34	
18		33	
19		32	
20		31	
21		30	
22		29	
23		28	
24		27	
25		26	

Standard Connector Options (use "NC" for no connector)



Order Codes:

AD11QMDM-□ 4-channel 1-Amp Motor Driver Board
 AD11QMDMH-□ 4-channel 2-Amp (High-Current) Motor Driver Board
 (fill in desired connector option code)

www.technologicalarts.com • sales@technologicalarts.com • phone: +1 (416) 963-8996 • fax: +1 (416) 963-9179

©2005 Technological Arts Specifications subject to change without notice

AD11QMDM