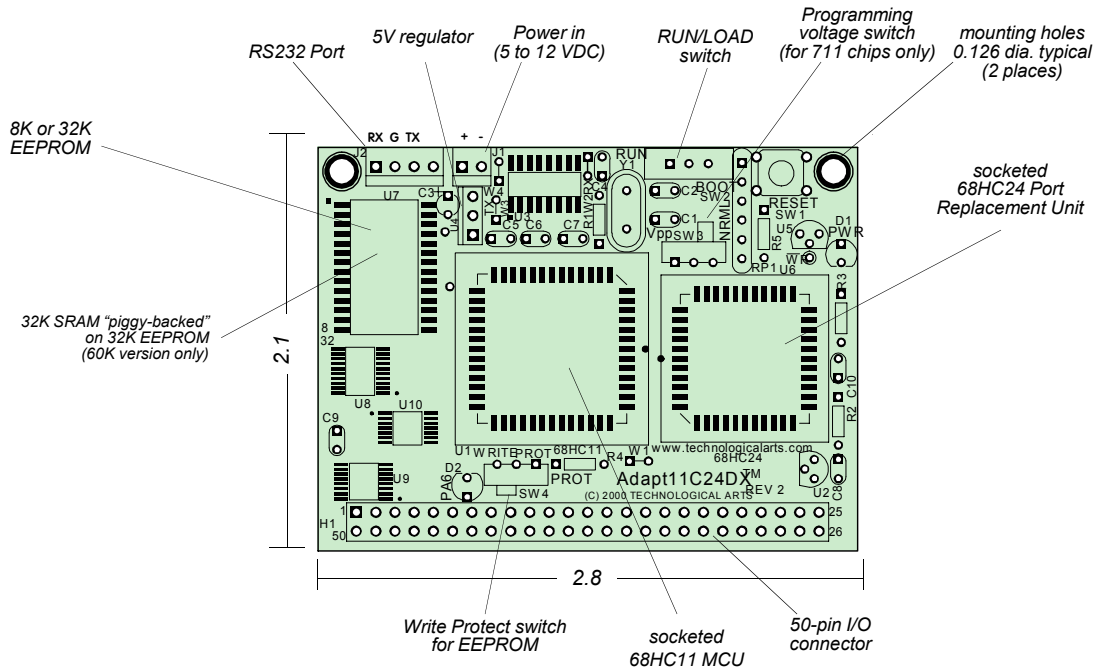


# Adapt11C24DX Module

## Mechanical Data and Pin Configuration

Dimensions in inches



### Pin Assignments

PIN #	NAME	PIN #	NAME
1	PD2/MISO	50	GROUND
2	PD3/MOSI	49	GROUND
3	PD4/SCK	48	PD0/RXD
4	PD5/SS*	47	+5V
5	PD1/TXD	46	IRQ*
6	PA7/PA1/OC1	45	XIRQ*
7	PA6/OC2/OC1	44	RESET*
8	PA5/OC3/OC1	43	STRB
9	PA4/OC4/OC1	42	PC7
10	PA3/IC4/OC5/OC1	41	PC6
11	PA2/IC1	40	PC5
12	PA1/IC2	39	PC4
13	PA0/IC3	38	PC3
14	PB7	37	PC2
15	PB6	36	PC1
16	PB5	35	PC0
17	PB4	34	STRB
18	PB3	33	E
19	PB2	32	STRA
20	PB1	31	VRL
21	PB0	30	VRH
22	PE0/AN0	29	PE4/AN4
23	PE1/AN1	28	PE5/AN5
24	PE2/AN2	27	PE6/AN6
25	PE3/AN3	26	PE7/AN7

Order Codes:

Modules:

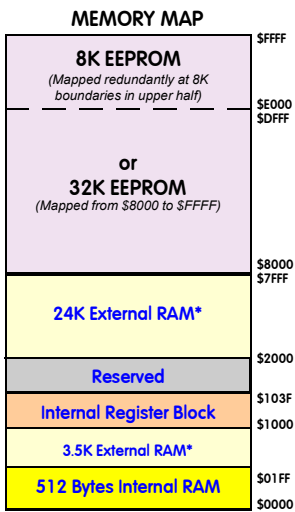
- 8K EEPROM: #AD11C24DXM8K-□
- 32K EEPROM: #AD11C24DXM32K-□
- 32K EEPROM + 28K SRAM: #AD11C24DXM60K-□

Starter Packages:

- 8K EEPROM: #AD11C24DXSP8K(-□)
- 32K EEPROM: #AD11C24DXSP32K(-□)
- 32K EEPROM + 28K SRAM: #AD11C24DXSP60K(-□)

\*NOTE: Starter Packages include

ADAPT11C24DXM\_-SB module fully populated with 68HC11E0FN and 68HC24FN, serial cable, manual, documentation, and disk with assembler, BASIC, C, PCBug11, download utilities, example programs, and more. Alternative connectors available--specify desired option.



\* present on 60K version only

### Standard Connector Option Codes (use "NC" for "no connector")

