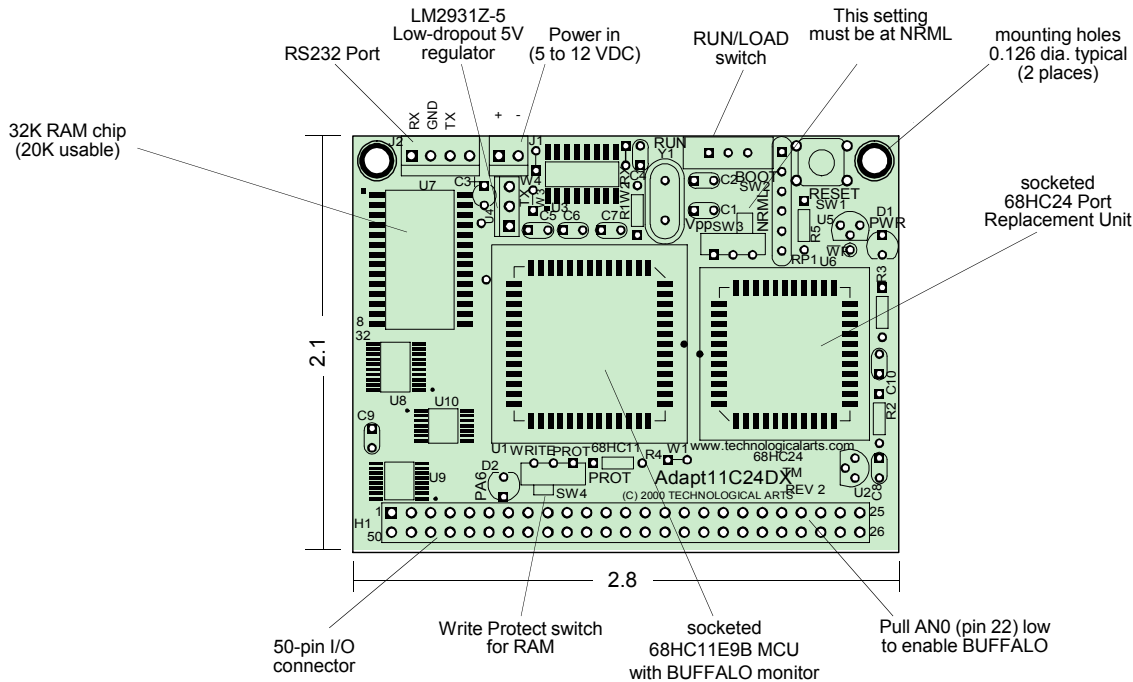


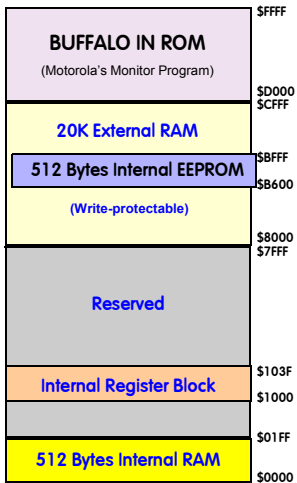
# Adapt11C24DXEVB Module

## Mechanical Data and Pin Configuration

Dimensions in inches



### MEMORY MAP



### Pin Assignments

PIN #	NAME	PIN #	NAME
1	PD2/MISO	50	GROUND
2	PD3/MOSI	49	GROUND
3	PD4/SCK	48	PD0/RXD
4	PD5/SS*	47	+5V
5	PD1/TXD	46	IRQ*
6	PA7/PAI/OC1	45	XIRQ*
7	PA6/OC2/OC1	44	RESET*
8	PA5/OC3/OC1	43	STRB
9	PA4/OC4/OC1	42	PC7
10	PA3/IC4/OC5/OC1	41	PC6
11	PA2/IC1	40	PC5
12	PA1/IC2	39	PC4
13	PA0/IC3	38	PC3
14	PB7	37	PC2
15	PB6	36	PC1
16	PB5	35	PC0
17	PB4	34	STRB
18	PB3	33	E
19	PB2	32	STRA
20	PB1	31	VRL
21	PB0	30	VRH
22	PE0/AN0	29	PE4/AN4
23	PE1/AN1	28	PE5/AN5
24	PE2/AN2	27	PE6/AN6
25	PE3/AN3	26	PE7/AN7

### Starter Package Order Code:

BUFFALO + 20K SRAM: #AD11C24DXEVBSP(-□)

includes ADAPT11C24DXRM-SB module (fully populated with 68HC11E9B or equivalent, 20K available SRAM, and 68HC24FN Port Replacement Unit), serial cable, manual, documentation, and disk with assembler, BASIC, C, PCBug11, download utilities, example programs, and more. Other connectors available-- specify desired connector option code.

### Standard Connector Options

