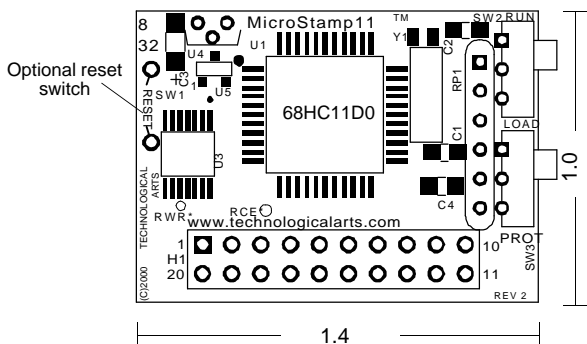


MicroStamp11™

REVISION 2



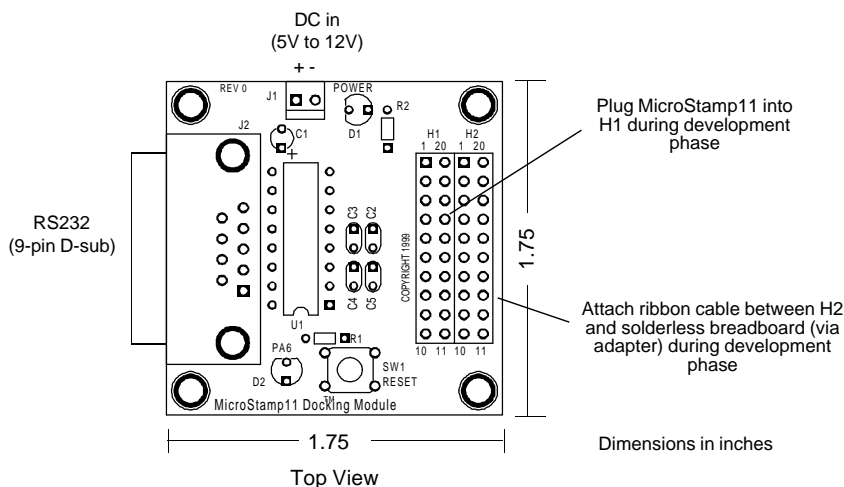
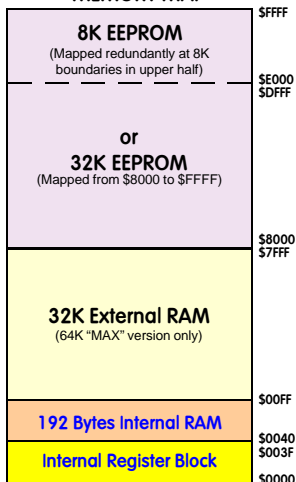
MicroStamp11™
Shown 150% of actual size

Pin Functions

PIN #	NAME	PIN #	NAME
1	PA7/PAI/OC1	20	PD0/RxD
2	PA6/OC2/OC1	19	PD1/TxD
3	PA5/OC3/OC1	18	PD2/MISO
4	PA4/OC4/OC1	17	PD3/MOSI
5	PA3/IC4/OC5/OC1	16	PD4/SCK
6	PA2/IC1	15	PD5/SS*
7	PA1/IC2	14	XIRQ*
8	PA0/IC3	13	IRQ*
9	RESET*	12	+5VDC
10	Vin	11	GROUND

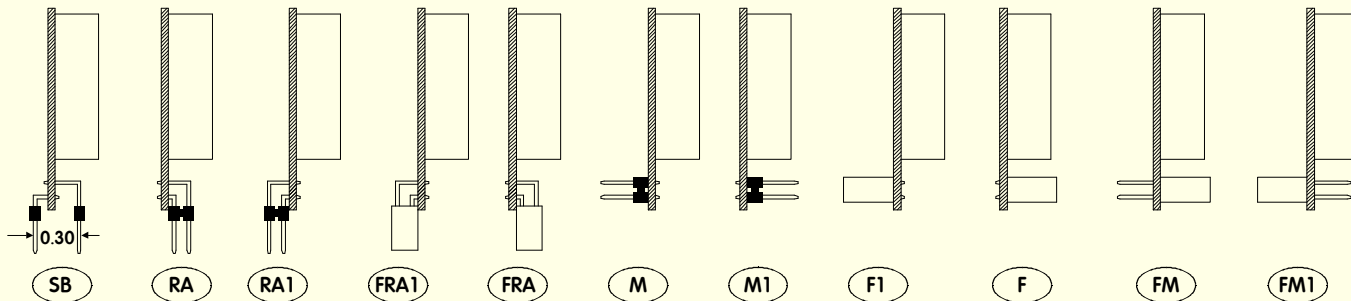
* INDICATES "ACTIVE LOW"

MEMORY MAP



MicroStamp11™ Docking Module

Standard Connector Options



Starter Packages*:

- 8K Standard: #MS11SP8K
- 32K Standard: #MS11SP32K
- 64K MAX (32K EE + 32K RAM): #MS11SP64K
- 8K Turbo (9.83MHz): #MS11SP8KT9
- 32K Turbo (9.83MHz): #MS11SP32KT9
- 64K Turbo (9.83MHz) MAX : #MS11SP64KT9



Modules:

- 8K Standard: #MS11M8K-□
- 32K Standard: #MS11M32K-□
- 64K MAX (32K EE + 32K RAM): #MS11M64K-□
- 8K Turbo (9.83MHz): #MS11M8KT9-□
- 32K Turbo (9.83MHz): #MS11M32KT9-□
- 64K Turbo (9.83MHz) MAX : #MS11M64KT9-□
- Docking Module: #MS11DM-□-□ (supplied with M1-RA unless requested otherwise)

NOTE: all Starter Packages include MicroStamp11 with -FRA connector option, Docking Module with M1-RA connector options, 20-pin ribbon cable, solderless breadboard adapter, serial cable, manual, documentation, and a disk with assembler, BASIC, C, PCBug11, download utilities, programs, and more. Alternative connector options are possible--specify the desired connector option for the module, and the appropriate Docking Module and adapters will be supplied.