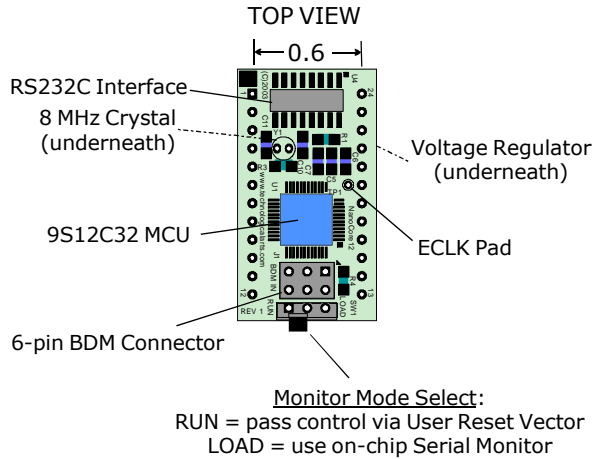


NanoCore12™ Features and Pinouts

(Dimensions in Inches)

NanoCore12™ MCU Module



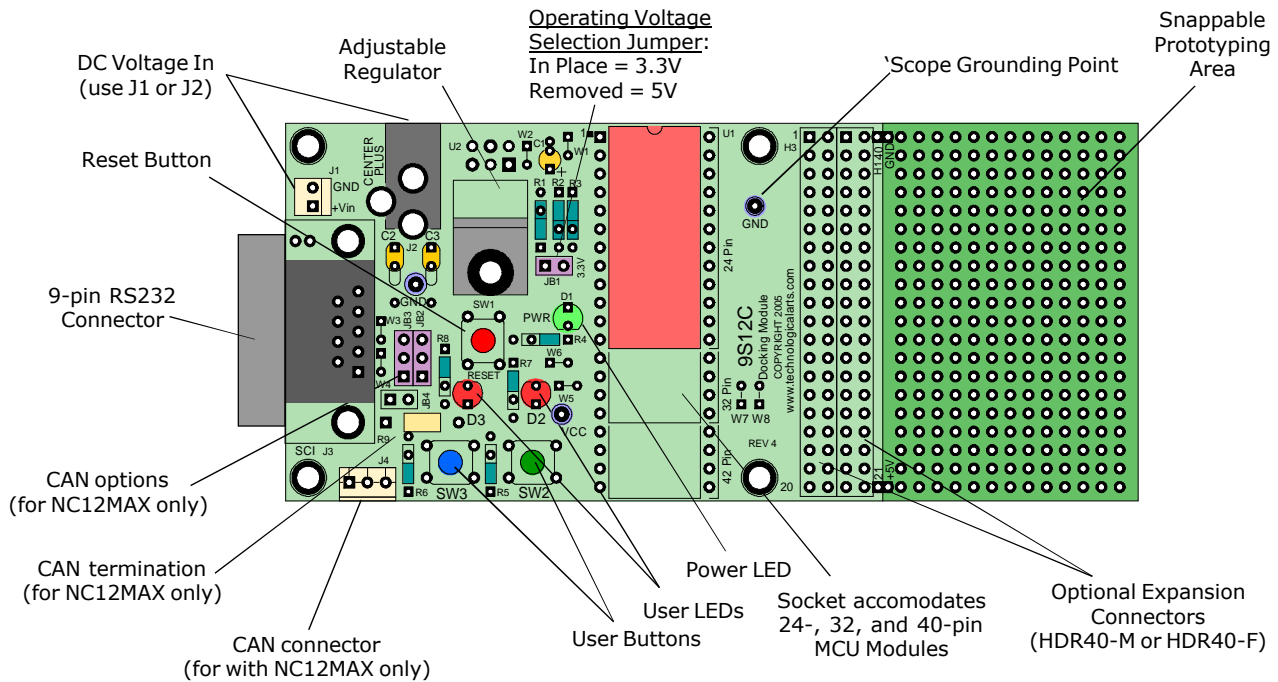
Pinout (top view)

TX (RS232)	1	24	VIN
RX (RS232)	2	23	VSS (GROUND)
DTR (N/C)	3	22	RESET*
VSS (GROUND)	4	21	VCC
AN0/PAD00	5	20	PT7/IOC7
AN1/PAD01	6	19	PT6/IOC6
AN2/PAD02	7	18	PT5/IOC5
AN3/PAD03	8	17	PT4/IOC4/PW4
AN4/PAD04	9	16	PT3/IOC3/PW3
AN5/PAD05	10	15	PT2/IOC2/PW2
AN6/PAD06	11	14	PT1/IOC1/PW1
AN7/PAD07	12	13	PT0/IOC0/PW0

Order Code: NC12C32 (includes hardcopy schematic)

* Indicates "Active Low"

9S12C Docking Module



Docking Module Order Code: 9S12CDM (includes hardcopy schematic)



www.NanoCore12.com

©2007 Technological Arts, Inc.
NC12DAT1a