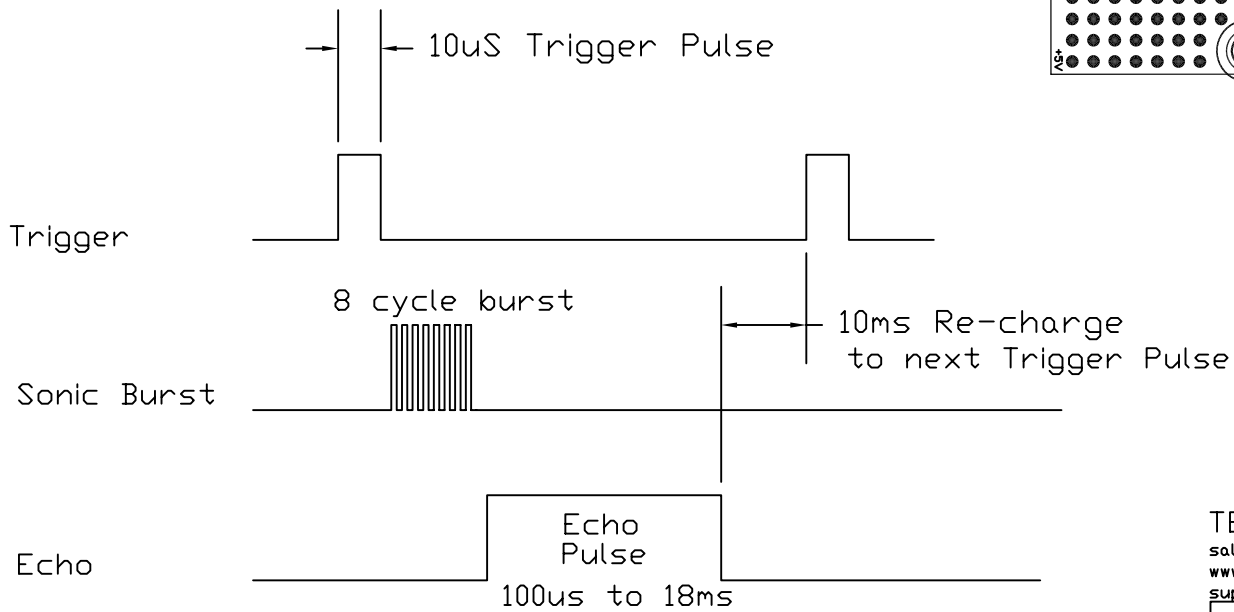
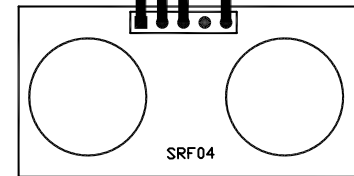
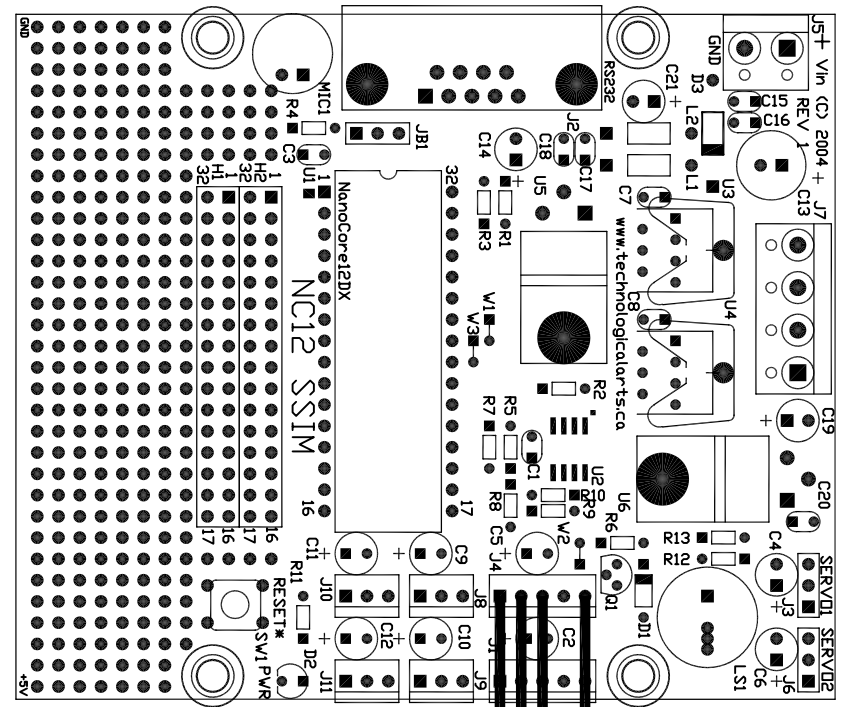


SRF04 Timing Diagram



Note: If no object detected then Echo pulse is approx. 36ms



TRANSDUCER SIDE
Wire SRF04 to J4 of NC12SSIM

TECHNOLOGICAL ARTS
sales@technologicalarts.ca
www.technologicalarts.com
support@technologicalarts.ca

Title		
NC12DX SSIM SONAR connections		
Size	Document Number	Rev
A	FILE: NC12SSIM_SRF04_Apps.DWG	0
Date:	Friday, August 06, 2004	Sheet 1 of 1